

Eyre Bin 80L



Specifications

DIMENSIONS*
W:350mm H:1200mm D:405mm

CLADDING
Powder coated steel, or
Brushed 304 grade stainless steel.

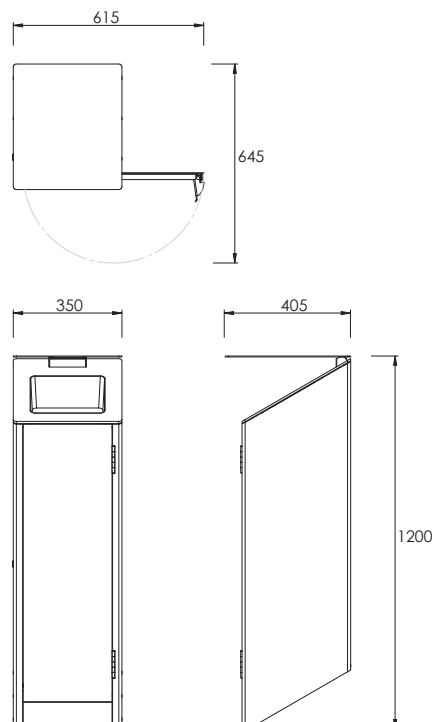
CHUTE
Powder coated steel,
or Polished aluminium,
or Brass plated aluminium.

COVER
Powder coated steel,
or Brushed 304 grade stainless steel.

FRAME
Galvanized steel base plate.

Alternative materials & finishes
available upon request.

*Dimensions may vary slightly
depending on specified options.



MOS[®]